

**Authorised Distributors:-**

Intech Systems Chennai Pvt. Ltd, Chennai-600 032

Ph: +91 44 4353 8888 Mob: +91 99 4353 8888 Fax: 044 4353 7888

E-mail: info@intechchennai.com Website: www.intechchennai.com

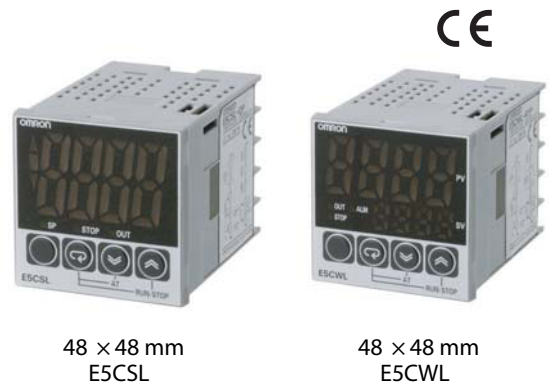
Temperature Controllers

# E5CSL/E5CWL

## The Simple and New Temperature Controller is Released that Easily Achieves the Temperature Control.

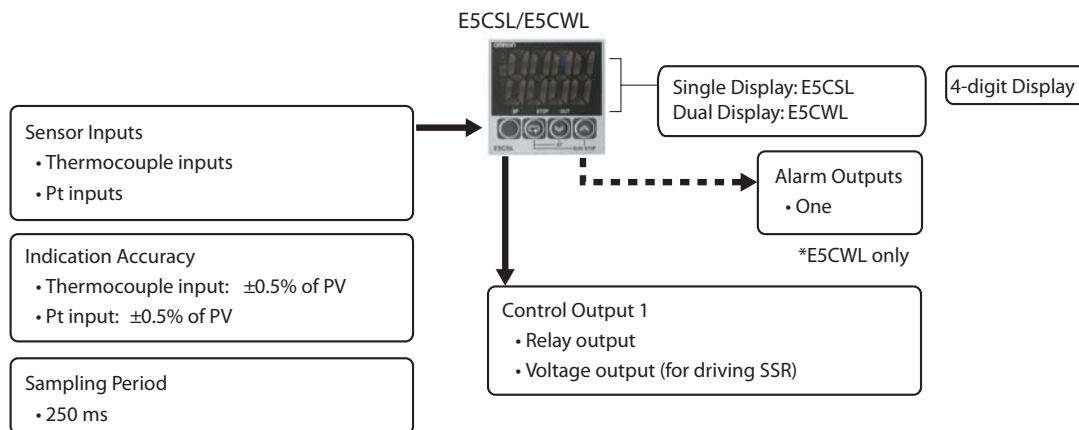
- Easy to Read (Character Height E5CSL: 21.7 mm E5CWL: 16.2 mm (PV)).
- Depth beyond front panel: Only 60 mm.
- Fewer parameters for simple setup.
- Faster sampling at 250 ms.

Note: Refer to Precautions on page 7.



**NEW**

## Main I/O Functions



## Model Number Structure

### Model Number Legend

Models with Single Display

E5CSL- @ @  
1 2

- Control Output  
R: Relay output: 250 VAC, 3 A  
Q: Voltage output (for driving SSR): 12 VDC, 21 mA
- Sensor type  
TC: Thermocouple (K, J, T, R, or S)  
P: Platinum resistance thermometer (Pt100)

Models with Dual Display

E5CWL- @ 1 @  
1 2 3

- Control Output  
R: Relay output: 250 VAC, 3 A  
Q: Voltage output (for driving SSR): 12 VDC, 21 mA
- Alarm (E5CWL only)  
1: Relay output: 250 VAC, 1 A (resistive load)
- Sensor type  
TC: Thermocouple (K, J, T, R, or S)  
P: Platinum resistance thermometer (Pt100)

## Ordering Information

### Single Display

Size	Power supply voltage	Input type	Alarm output	Control output	Model
1/16 DIN 48 × 48 × 60 (W × H × D)	100 to 240 VAC	Thermocouple	None	Relay output	E5CSL-RTC
		Resistance thermometer			E5CSL-RP
		Thermocouple		Voltage output (for driving SSR)	E5CSL-QTC
		Resistance thermometer			E5CSL-QP

### Dual Display

Size	Power supply voltage	Input type	Alarm output	Control output	New model
1/16 DIN 48 × 48 × 60 (W × H × D)	100 to 240 VAC	Thermocouple	1	Relay output	E5CWL-R1TC
		Resistance thermometer			E5CWL-R1P
		Thermocouple		Voltage output (for driving SSR)	E5CWL-Q1TC
		Resistance thermometer			E5CWL-Q1P

## Accessories (Order Separately)

### Terminal Cover

Model	E53-COV19
-------	-----------

### Front Panel

Model	E53-COV20
-------	-----------

**Note:** 1. This Front Panel accessory is required to attach the Y92A-48B or Y92A-48D.

2. This Front Panel accessory is only the frame. It does not include the plastic cover.

### Adapter

Model	Y92F-45
-------	---------

**Note:** 1. Use this Adapter when the Front Panel has already been prepared for the E5B□.

2. Only black is available.

## Specifications

### Ratings

<b>Power supply voltage</b>		100 to 240 VAC, 50/60 Hz
<b>Operating voltage range</b>		85% to 110% of rated supply voltage
<b>Power consumption</b>	<b>E5CSL</b>	3.5 VA
	<b>E5CWL</b>	3.5 VA
<b>Sensor input</b>		Models with thermocouple inputs Thermocouple: K, J, T, R, or S
		Models with platinum resistance thermometer inputs Platinum resistance thermometer: Pt100
<b>Control output</b>	<b>Relay output</b>	SPST-NO, 250 VAC, 3 A (resistive load), electrical life: 100,000 operations, minimum load: 5 V, 10 mA
	<b>Voltage output (for driving SSR)</b>	Output voltage: 12 VDC +25%/–15% (PNP), max. load current: 21 mA, with short-circuit protection circuit
<b>Alarm output</b>		SPST-NO, 250 VAC, 1 A (resistive load), electrical life: 100,000 operations, minimum load: 5 V, 10 mA
<b>Control method</b>		ON/OFF control or 2-PID control (with auto-tuning)
<b>Setting method</b>		Digital setting using front panel keys
<b>Indication method</b>		7-segment digital display and individual indicators Character height: E5CSL: 21.7 mm E5CWL: 16.2 mm (PV)
<b>Other functions</b>		Temperature input shift, run/stop, protection functions, etc.
<b>Ambient operating temperature</b>		–10 to 55°C (with no icing or condensation)
<b>Ambient operating humidity</b>		25% to 85%
<b>Storage temperature</b>		–25 to 65°C (with no icing or condensation)

# E5CSL/E5CWL

## Input Ranges

### Models with Thermocouple Inputs

Model (temperature input)	Set value	Input type	Range	
			°C	°F
TC input	0	K	-200 to 1,300	-300 to 2,300
	1		-20.0 to 500.0	0.0 to 900.0
	2	J	-100 to 850	-100 to 1500
	3		-20.0 to 400.0	0.0 to 750.0
	4	T	-200 to 400	-300 to 700
	5		-199.9 to 400.0	-199.9 to 700.0
	6	R	0 to 1,700	0 to 3,000
7	S	0 to 1,700	0 to 3,000	

Default setting: 0

Applicable standards (K, J, T, R, S): JIS C1602-1995 and IEC 60584-1

### Models with Resistance Thermometer Inputs

Model (temperature input)	Set value	Input type	Range	
			°C	°F
Pt input	8	Pt100	-200 to 850	-300 to 1500
	9		-199.9 to 500.0	-199.9 to 900.0

Default setting: 8

Applicable standards (Pt100): JIS C1604-1997 and IEC 60751

## Alarm Types

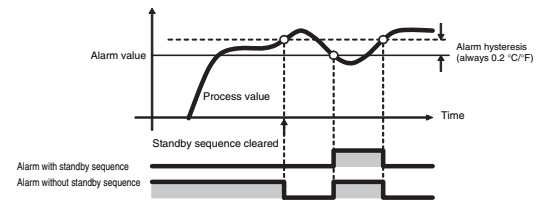
Select alarm types out of the 11 alarm types listed in the following table.

Setting	Alarm type	Positive alarm value (X)	Negative alarm value (X)
0	No alarm	Output OFF	
1	Deviation upper/lower limit	ON OFF	Always ON
2	Deviation upper limit	ON OFF	ON OFF
3	Deviation lower limit	ON OFF	ON OFF
4	Deviation upper/lower range	ON OFF	Always OFF
5 (See note.)	Deviation upper/lower limit standby sequence ON	ON OFF	Always OFF
6 (See note.)	Deviation upper limit standby sequence ON	ON OFF	ON OFF
7 (See note.)	Deviation lower limit standby sequence ON	ON OFF	ON OFF
8	Absolute value upper limit	ON OFF	ON OFF
9	Absolute value lower limit	ON OFF	ON OFF
10 (See note.)	Absolute value upper limit standby sequence ON	ON OFF	ON OFF
11 (See note.)	Absolute value lower limit standby sequence ON	ON OFF	ON OFF
12	Do not set.		

### Note: Alarms with a Standby Sequence

The alarm is blocked until the first safe-state is reached. Unwanted alarm during start-up are prevented.

Example: Deviation Lower Limit Standby Sequence ON



The standby sequence is cleared when the alarm OFF condition has been met.

The standby sequence is started again when any of the following conditions is met.

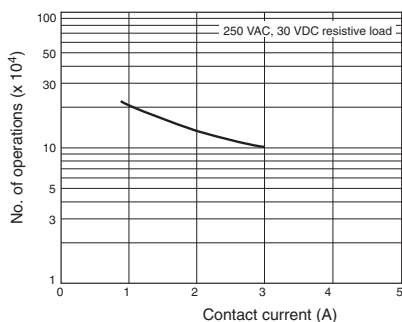
- Operation is started (power is turned ON or operation is switched from stop to run).
- The alarm value is changed.
- The temperature input offset is changed.
- The set point is changed.

## Characteristics

<b>Indication accuracy</b>	Thermocouple: (See note 1.) (±0.5% of indicated value or ±1°C, whichever is greater) ±1 digit max. Platinum resistance thermometer: (±0.5% of indicated value or ±1°C, whichever is greater) ±1 digit max.	
<b>Influence of temperature</b>	R and S thermocouple inputs: (±1% of PV or ±10°C, whichever is greater) ±1 digit max.	
<b>Influence of voltage</b>	K, J, and T thermocouple inputs: (±1% of PV or ±4°C, whichever is greater) ±1 digit max. Platinum resistance thermometer inputs: (±1% of PV or ±2°C, whichever is greater) ±1 digit max.	
<b>Hysteresis</b>	0.1 to 999.9 (in units of 0.1) °C/°F	
<b>Proportional band (P)</b>	0.1 to 999.9 (in units of 0.1) °C/°F	
<b>Integral time (I)</b>	0 to 3999 s (in units of 1 s)	
<b>Derivative time (D)</b>	0 to 3999 s (in units of 1 s)	
<b>Control period</b>	0.5, 1 to 99 s (in units of 1 s)	
<b>Alarm setting range</b>	-1999 to 9999 (decimal point position depends on input type)	
<b>Sampling period</b>	250 ms	
<b>Affect of signal source resistance</b>	Thermocouple: 0.1°C/Ω max. (100 Ω max.) (See note 2.) Platinum resistance thermometer: 0.6°C/Ω max. (10 Ω max.)	
<b>Insulation resistance</b>	20 MΩ min. (at 500 VDC)	
<b>Dielectric strength</b>	2,300 VAC, 50 or 60 Hz for 1 min (between terminals with different charge)	
<b>Vibration resistance</b>	<b>Malfunction</b>	10 to 55 Hz, 20 m/s <sup>2</sup> for 10 min each in X, Y, and Z directions
	<b>Destruction</b>	10 to 55 Hz, 20 m/s <sup>2</sup> for 2 hrs each in X, Y, and Z directions
<b>Shock resistance</b>	<b>Malfunction</b>	100 m/s <sup>2</sup> min., 3 times each in X, Y, and Z directions
	<b>Destruction</b>	300 m/s <sup>2</sup> min., 3 times each in X, Y, and Z directions
<b>Weight</b>	Controller: Approx. 100 g, Mounting Bracket: Approx. 10 g	
<b>Degree of protection</b>	Front panel: IP50 Rear case: IP20, Terminals: IP00	
<b>Memory protection</b>	Non-volatile memory (number of writes: 100,000 times)	
<b>Conformed standards</b>	EN61326, EN61010-1, IEC61010-1 VDE0106 Part 100 (Finger protection), when the terminal cover is mounted.	
<b>EMC</b>	Emission Enclosure:	EN55011 Group1 Class A
	Emission AC Mains:	EN55011 Group1 Class A
	Immunity ESD:	EN61000-4-2
	Immunity RF-interference:	EN61000-4-3 10 V/m
	Immunity Conducted Disturbance:	EN61000-4-6 3 V
	Immunity Burst:	EN61000-4-4
	Immunity Surge:	EN61000-4-5
	Immunity Voltage Dip/Interrupting:	EN61000-4-11

**Note:** 1. The indication accuracy of K and T thermocouples at a temperature of -100°C max. is ±2°C ±1 digit maximum. The indication accuracy of the R and S thermocouples at a temperature of 200°C max. is ±3°C ±1 digit max.  
2. R, and S sensors: 0.2°C/Ω max. (100 Ω max.)

## Electrical Life Expectancy Curve for Relays (Reference Values)

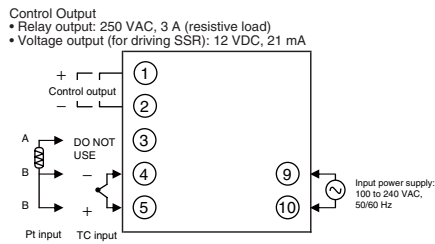


# E5CSL/E5CWL

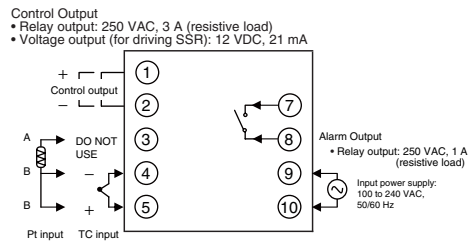
## External Connections

- A voltage output (control output 1) is not electrically insulated from the internal circuits. When using a grounding thermocouple, do not connect any of the control output terminals to ground. If the control output terminals are connected to ground, errors will occur in the measured temperature values as a result of leakage current.

### E5CSL



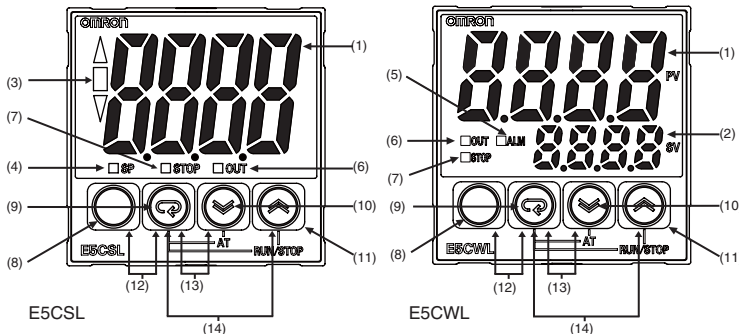
### E5CWL



## Nomenclature

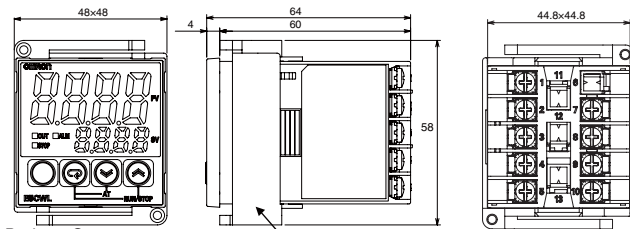
### E5CSL

### E5CWL



- |                          |  |  |
|--------------------------|--|--|
| (1) Display No. 1        | Displays the process value (PV) or parameter. For the E5CSL, the set point or parameter setting is also displayed.   | (10)  Down Key: Reduces the setting.   |
| (2) Display No. 2        | Displays the set point (SP) or parameter setting.  | (11)  Up Key: Increases the setting.   |
| (3) Deviation Indicators | Show the relation between the process value and the set point.<br>▲ Lit: The process value is more than 5°C/°F higher than the set point.<br>▼ Lit: The process value is more than 5°C/°F lower than the set point.<br>■ Lit: The process value is within 5°C/°F of the set point.<br>The relevant deviation indicator will flash during autotuning. | (12)  Press these keys for at least 3 seconds in Operation Level or Adjustment Level to go to Protect Level.               |
| (4) SP                   | Lit while the set point is displayed on display No. 1 (E5CSL only).  | (13)  Press these keys for at least 1 second in Protect Level to return to Operation Level.                                |
| (5) ALM                  | Lit while the alarm is ON. Not lit while the alarm is OFF.   | (14)  Press these keys for at least 2 seconds to start or stop operation.*2  |
| (6) OUT                  | Lit while the control output is ON. Not lit while the control output is OFF.   |  |
| (7) STOP                 | Not lit during operation. Lit while operation is stopped.  |  |
| (8)                      | Level Key: Changes the setting level.  | *1: These keys are disabled when starting and stopping autotuning has been disabled with operation control key protection. |
| (9)                      | Mode Key: Changes the parameter within the setting level.  | *2: These keys are disabled when starting and stopping operation has been disabled with operation control key protection.  |

## Dimensions



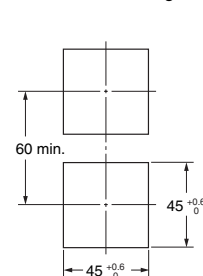
- Package Contents
- Temperature Controller
  - Adapter
  - Instruction Manual

\*The dimensions are the same for the E5CSL.

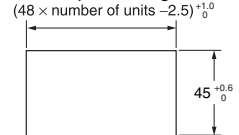
- Solderless terminal size: M3.5
- Terminal Cover: E53-COV19 (sold separately)
- Front Panel: E53-COV20 (sold separately)

### Panel Cutout

#### Individual Mounting



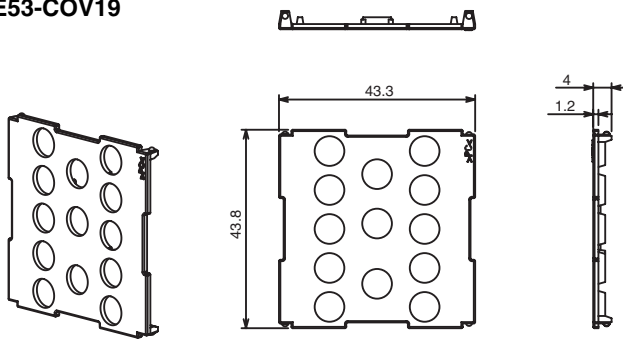
#### Group Mounting



- Recommended panel thickness is 1 to 5 mm.
- Group mounting is not possible in the vertical direction. (Maintain the specified mounting space between Controllers.)
- When two or more Controllers are mounted, make sure that the surrounding temperature does not exceed the ambient operating temperature given in the specifications.

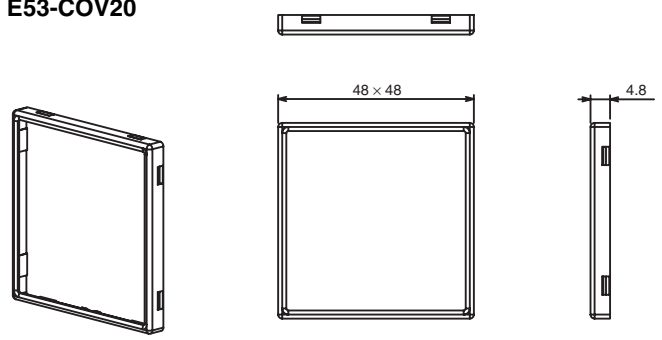
Accessories (Order Separately)

Terminal Cover  
E53-COV19



Note: The E53-COV10 cannot be used.

Front Panel  
E53-COV20

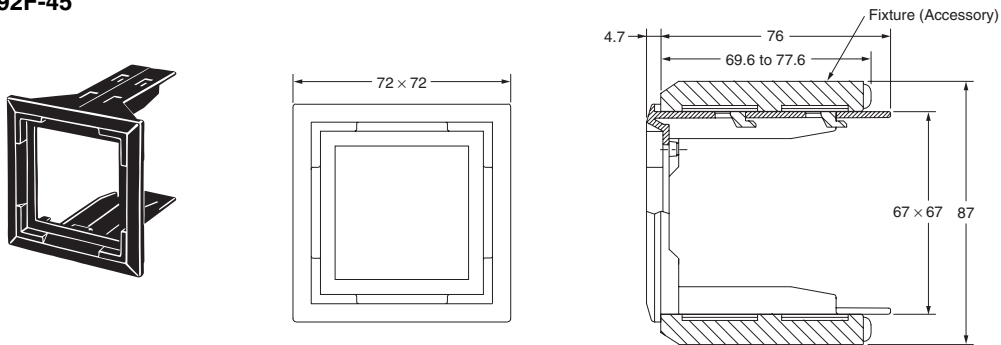


Note: 1. This Front Panel accessory is required to attach the Y92A-48B or Y92A-48D.  
2. This Front Panel accessory is only the frame. It does not include the plastic cover.

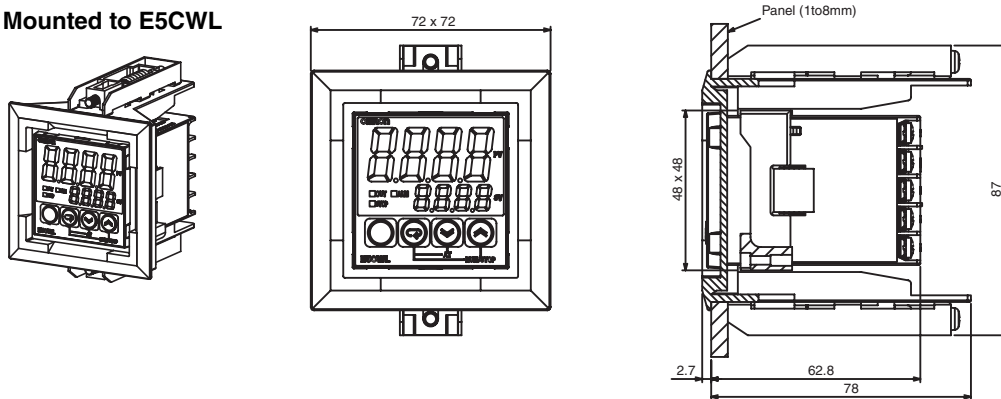
Adapter

Note: 1. Use this Adapter when the panel has already been prepared for the E5B□.  
2. Only black is available.

Y92F-45



Mounted to E5CWL



## Safety Precautions

### CAUTION

Do not touch the terminals while power is being supplied. Doing so may occasionally result in minor injury due to electric shock.



Do not allow pieces of metal, wire clippings, or fine metallic shavings or filings from installation to enter the product. Doing so may occasionally result in electric shock, fire, or malfunction.



Do not use the product where subject to flammable or explosive gas. Otherwise, minor injury from explosion may occasionally occur.



Never disassemble, modify, or repair the product or touch any of the internal parts. Minor electric shock, fire, or malfunction may occasionally occur.



If the output relays are used past their life expectancy, contact fusing or burning may occasionally occur. Always consider the application conditions and use the output relays within their rated load and electrical life expectancy.



The life expectancy of output relays varies considerably with the output load and switching conditions.

Tighten the terminal screws to between 0.74 and 0.90 N·m. Loose screws may occasionally result in fire.



Set the parameters of the product so that they are suitable for the system being controlled. If they are not suitable, unexpected operation may occasionally result in property damage or accidents.



A malfunction in the Temperature Controller may occasionally make control operations impossible or prevent alarm outputs, resulting in property damage. To maintain safety in the event of malfunction of the Temperature Controller, take appropriate safety measures, such as installing a monitoring device on a separate line.



9. Make sure that the rated voltage is attained within two seconds of turning ON the power using a switch or relay contact. If the voltage is applied gradually, the power may not be reset or output malfunctions may occur.
10. Make sure that the Controller has 30 minutes or more to warm up after turning ON the power before starting actual control operations to ensure the correct temperature display.
11. A switch or circuit breaker should be provided close to this unit. The switch or circuit breaker should be within easy reach of the operator, and must be marked as a disconnecting means for this unit.
12. Do not use paint thinner or similar chemical to clean with. Use standard grade alcohol.
13. Design system (control panel, etc) considering the 2 second of delay that the controller's output to be set after power ON.
14. The output may turn OFF when shifting to certain levels. Take this into consideration when performing control.
15. The number of non-volatile memory write operations is limited.

## Precautions for Safe Use

Be sure to observe the following precautions to prevent operation failure, malfunction, or adverse affects on the performance and functions of the product. Not doing so may occasionally result in unexpected events.

1. The product is designed for indoor use only. Do not use the product outdoors or in any of the following locations.
  - Places directly subject to heat radiated from heating equipment.
  - Places subject to splashing liquid or oil atmosphere.
  - Places subject to direct sunlight.
  - Places subject to dust or corrosive gas (in particular, sulfide gas and ammonia gas).
  - Places subject to intense temperature change.
  - Places subject to icing and condensation.
  - Places subject to vibration and large shocks.
2. Use/store within the rated temperature and humidity ranges. Provide forced-cooling if required.
3. To allow heat to escape, do not block the area around the product. Do not block the ventilation holes on the product.
4. Be sure to wire properly with correct polarity of terminals.
5. Use specified size (M3.5, width 7.2 mm or less) crimped terminals for wiring. To connect bare wires to the terminal block, use copper braided or solid wires with a rated temperature of over 70°C and a gauge of AWG24 to AWG14 (equal to a cross-sectional area of 0.205 to 2.081 mm<sup>2</sup>). (The stripping length is 5 to 6 mm.) Up to two wires of same size and type, or two crimped terminals can be inserted into a single terminal.
6. Do not wire the terminals which are not used.
7. Allow as much space as possible between the controller and devices that generate a powerful high-frequency or surge. Separate the high-voltage or large-current power lines from other lines, and avoid parallel or common wiring with the power lines when you are wiring to the terminals.
8. Use this product within the rated load and power supply.

## Precautions for Correct Use

### Service Life

1. Use the product within the following temperature and humidity ranges:  
Temperature:  $-10$  to  $55^{\circ}\text{C}$  (with no icing or condensation)  
Humidity: 25% to 85%  
If the product is installed inside a control board, the ambient temperature must be kept to under  $55^{\circ}\text{C}$ , including the temperature around the product.
2. The service life of electronic devices like Temperature Controllers is determined not only by the number of times the relay is switched but also by the service life of internal electronic components. Component service life is affected by the ambient temperature: the higher the temperature, the shorter the service life and, the lower the temperature, the longer the service life. Therefore, the service life can be extended by lowering the temperature of the Temperature Controller.
3. When two or more Temperature Controllers are mounted horizontally close to each other or vertically next to one another, the internal temperature will increase due to heat radiated by the Temperature Controllers and the service life will decrease. In such a case, use forced cooling by fans or other means of air ventilation to cool down the Temperature Controllers. When providing forced cooling, however, be careful not to cool down the terminals sections alone to avoid measurement errors.

### Measurement Accuracy

1. When extending or connecting the thermocouple lead wire, be sure to use compensating wires that match the thermocouple types.
2. When extending or connecting the lead wire of the platinum resistance thermometer, be sure to use wires that have low resistance and keep the resistance of the three lead wires the same.
3. Mount the product so that it is horizontally level.
4. If the measurement accuracy is low, check to see if input shift has been set correctly.

### Waterproofing

The degree of protection is as shown below. Sections without any specification on their degree of protection or those with IP□0 are not waterproof.

Front panel: IP50

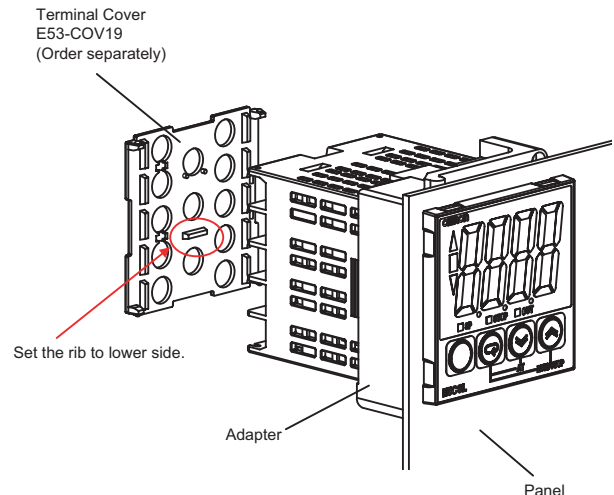
Rear case: IP20, Terminal section: IP00

### Operating Precautions

1. It takes approximately two seconds for the outputs to turn ON from after the power supply is turned ON. Due consideration must be given to this time when incorporating Temperature Controllers in a sequence circuit.
2. When starting operation after the Temperature Controller has warmed up, turn OFF the power and then turn it ON again at the same time as turning ON power for the load. (Instead of turning the Temperature Controller OFF and ON again, switching from STOP mode to RUN mode can also be used.)
3. Avoid using the Controller in places near a radio, television set, or wireless installing. These devices can cause radio disturbances which adversely affect the performance of the Controller.

## Mounting

### Mounting to a Panel



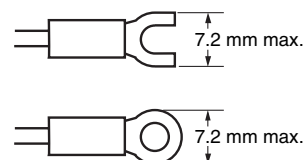
1. Insert the E5CSL/E5CWL into the mounting hole in the panel.
2. Push the adapter from the terminals up to the panel, and temporarily fasten the E5CSL/E5CWL.

### Mounting the Terminal Cover

Make sure that the rib on the E53-COV19 Terminal Cover to lower side, and then attach this cover to E5CSL/E5CWL.

### Precautions when Wiring

- Separate input leads and power lines in order to prevent external noise.
- Use specified size (M3.5, width 7.2 mm or less) crimped terminals for wiring. To connect bare wires to the terminal block, use copper braided or solid wires with a rated temperature of over  $70^{\circ}\text{C}$  and a gauge of AWG24 to AWG14 (equal to a cross-sectional area of  $0.205$  to  $2.081\text{ mm}^2$ ). (The stripping length is 5 to 6 mm.) Up to two wires of same size and type, or two crimped terminals can be inserted into a single terminal.
- Use crimp terminals when wiring the terminals.
- Use the suitable wiring material and crimp tools for crimp terminals.
- Tighten the terminal screws to between 0.74 and 0.90 N·m.
- Use the following types of crimp terminals for M3.5 screws.









# Warranty and Application Considerations

## Read and Understand This Catalog

Please read and understand this catalog before purchasing the products. Please consult your OMRON representative if you have any questions or comments.

## Warranty and Limitations of Liability

### WARRANTY

OMRON's exclusive warranty is that the products are free from defects in materials and workmanship for a period of one year (or other period if specified) from date of sale by OMRON.

OMRON MAKES NO WARRANTY OR REPRESENTATION, EXPRESS OR IMPLIED, REGARDING NON-INFRINGEMENT, MERCHANTABILITY, OR FITNESS FOR PARTICULAR PURPOSE OF THE PRODUCTS. ANY BUYER OR USER ACKNOWLEDGES THAT THE BUYER OR USER ALONE HAS DETERMINED THAT THE PRODUCTS WILL SUITABLY MEET THE REQUIREMENTS OF THEIR INTENDED USE. OMRON DISCLAIMS ALL OTHER WARRANTIES, EXPRESS OR IMPLIED.

### LIMITATIONS OF LIABILITY

OMRON SHALL NOT BE RESPONSIBLE FOR SPECIAL, INDIRECT, OR CONSEQUENTIAL DAMAGES, LOSS OF PROFITS, OR COMMERCIAL LOSS IN ANY WAY CONNECTED WITH THE PRODUCTS, WHETHER SUCH CLAIM IS BASED ON CONTRACT, WARRANTY, NEGLIGENCE, OR STRICT LIABILITY.

In no event shall the responsibility of OMRON for any act exceed the individual price of the product on which liability is asserted.

IN NO EVENT SHALL OMRON BE RESPONSIBLE FOR WARRANTY, REPAIR, OR OTHER CLAIMS REGARDING THE PRODUCTS UNLESS OMRON'S ANALYSIS CONFIRMS THAT THE PRODUCTS WERE PROPERLY HANDLED, STORED, INSTALLED, AND MAINTAINED AND NOT SUBJECT TO CONTAMINATION, ABUSE, MISUSE, OR INAPPROPRIATE MODIFICATION OR REPAIR.

## Application Considerations

### SUITABILITY FOR USE

OMRON shall not be responsible for conformity with any standards, codes, or regulations that apply to the combination of products in the customer's application or use of the products.

Take all necessary steps to determine the suitability of the product for the systems, machines, and equipment with which it will be used.

Know and observe all prohibitions of use applicable to this product.

NEVER USE THE PRODUCTS FOR AN APPLICATION INVOLVING SERIOUS RISK TO LIFE OR PROPERTY WITHOUT ENSURING THAT THE SYSTEM AS A WHOLE HAS BEEN DESIGNED TO ADDRESS THE RISKS, AND THAT THE OMRON PRODUCTS ARE PROPERLY RATED AND INSTALLED FOR THE INTENDED USE WITHIN THE OVERALL EQUIPMENT OR SYSTEM.

## Disclaimers

### PERFORMANCE DATA

Performance data given in this catalog is provided as a guide for the user in determining suitability and does not constitute a warranty. It may represent the result of OMRON's test conditions, and the users must correlate it to actual application requirements. Actual performance is subject to the OMRON *Warranty and Limitations of Liability*.

### CHANGE IN SPECIFICATIONS

Product specifications and accessories may be changed at any time based on improvements and other reasons. Consult with your OMRON representative at any time to confirm actual specifications of purchased product.

### DIMENSIONS AND WEIGHTS

Dimensions and weights are nominal and are not to be used for manufacturing purposes, even when tolerances are shown.

**OMRON Corporation** Industrial Automation Company  
Tokyo, JAPAN

Contact: [www.ia.omron.com](http://www.ia.omron.com)

Regional Headquarters  
OMRON EUROPE B.V.  
Wegalaan 67-69-2132 JD Hoofddorp  
The Netherlands  
Tel: (31)2356-81-300/Fax: (31)2356-81-388

OMRON ASIA PACIFIC PTE. LTD.  
No. 438A Alexandra Road # 05-05/08 (Lobby 2),  
Alexandra Technopark,  
Singapore 119967  
Tel: (65) 6835-3011/Fax: (65) 6835-2711

OMRON ELECTRONICS LLC  
One Commerce Drive Schaumburg,  
IL 60173-5302 U.S.A.  
Tel: (1) 847-843-7900/Fax: (1) 847-843-7787

OMRON (CHINA) CO., LTD.  
Room 2211, Bank of China Tower,  
200 Yin Cheng Zhong Road,  
PuDong New Area, Shanghai, 200120, China  
Tel: (86) 21-5037-2222/Fax: (86) 21-5037-2200

Authorized Distributor:  
**INTECH SYSTEMS CHENNAI PVT. LTD**  
S-2, Thiru. Vi. Ka Industrial Estate  
Guindy, Chennai-600 032  
Ph: +91 44 4353 8888 Mob: +91 99 4353 8888  
Fax: 044-4353 7888  
Email: [info@intechchennai.com](mailto:info@intechchennai.com)  
Website: [www.intechchennai.com](http://www.intechchennai.com)

© OMRON Corporation 2010 All Rights Reserved.  
In the interest of product improvement,  
specifications are subject to change without notice.

Cat. No. H167-E1-01

Printed in Japan  
0810